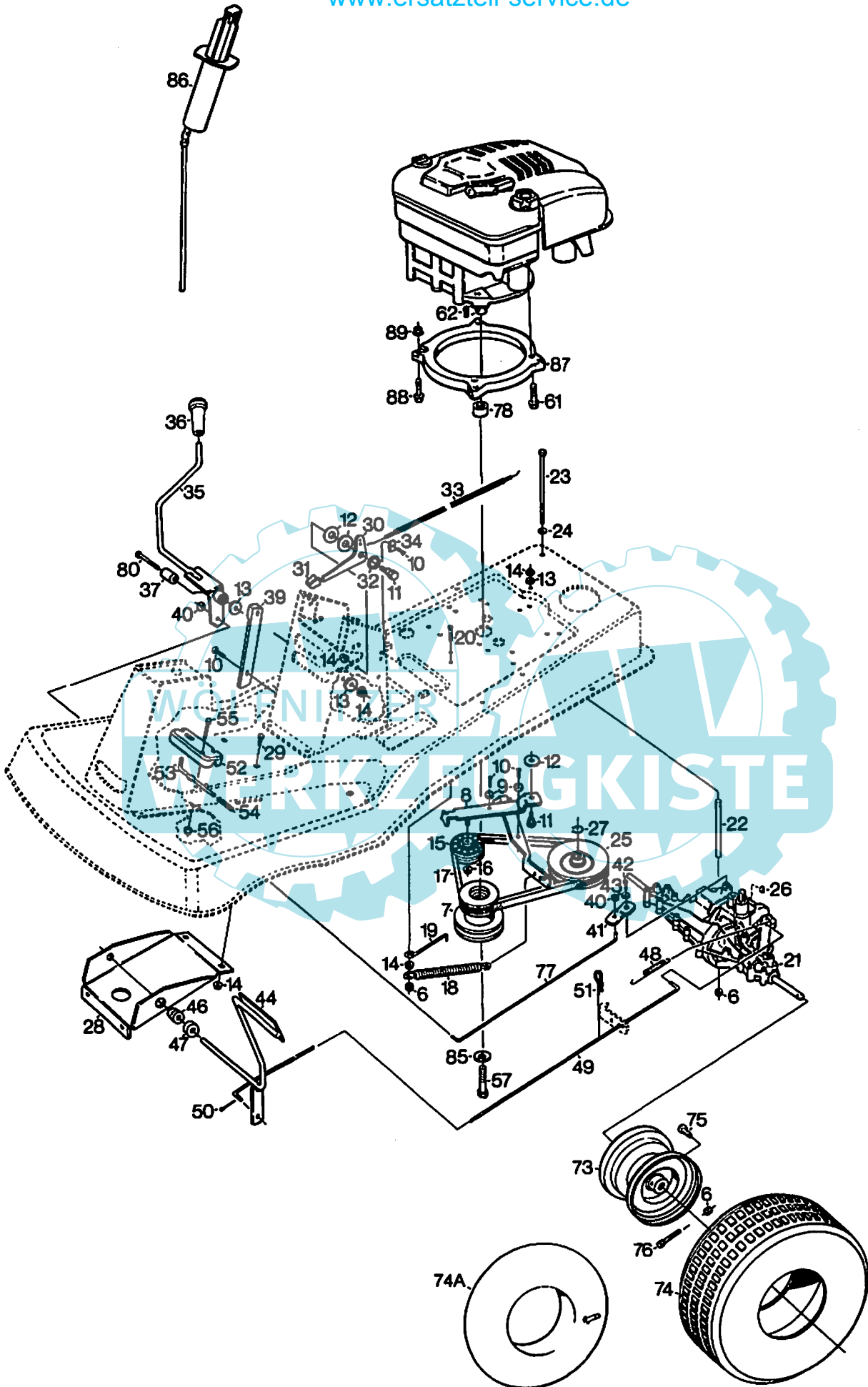


B007

| Ausgabe Issue | | Bild Nr. Picture No | | VARIOLUX 65 AM CHASSIE LENKUNG | VARIOLUX 65 AM CHASSIS STEERING | Seite Page | | |
|------------------|-----------------|------------------------|--|--------------------------------------|---------------------------------------|----------------------------|-------------|--------------------|
| 1999-1 | | B007 | | | | 54 | | |
| Pos. Fig. | Anzahl/Quantity | | | Artikel Nr. Part No | Bezeichnung | Description | Satz Kit | Anmerkung Notes |
| | 2022 | | | | | | | |
| 1 | 4 | | | 9997-0890-12 | Schraube | Screw | | |
| 2 | 17 | | | 9747-0831-02 | Mutter | Lock nut | | |
| 3 | 2 | | | 1134-3165-01 | Rohrplatte | Tube plate | | |
| 4 | 2 | | | 1134-3113-01 | Distanz | Spacer | | |
| 5 | 3 | | | 9997-0830-16 | Schraube | Screw | | |
| 6 | 6 | | | 9739-0831-22 | Mutter | Nut | | |
| 7 | 10 | | | 9997-0820-16 | Schraube | Screw | | |
| 8 | 4 | | | 9699-0090-02 | Scheibe | Flat washer | | |
| 9 | 1 | | | 1134-3192-01 | Steuerrad | Steering wheel Assy | | |
| 10 | 1 | | | 1134-0341-01 | • Scheibe | • Washer | | 1.5 mm |
| 11 | 2 | | | 9545-0500-00 | Ventil kompl. | Valve | | |
| 11 | 1 | | | 1134-0341-02 | • Scheibe | • Washer | | 0.5 mm |
| 12 | 2 | | | 1134-9024-01 | Lager | Bearing kit | | Satz 4 St. |
| 13 | 1 | | | 1134-3190-01 | Steuerstang | Steering column | | |
| 14 | 1 | | | 1134-3086-01 | Zahnrad | Sprocket | | |
| 15 | 1 | | | 9595-0258-00 | Spannstift | Locating pin | | |
| 16 | 2 | | | 1134-3162-01 | Distanz | Spacer | | |
| 18 | 1 | | | 1134-3080-02 | Zahnsegment | Toothed segment | | |
| 19 | 1 | | | 1134-1565-01 | Distanz | Spacer | | |
| 20 | 4 | | | 9997-0855-12 | Schraube | Screw | | |
| 21 | 2 | | | 9699-0056-02 | Scheibe | Flat washer | | |
| 22 | 1 | | | 1134-3115-01 | Lenkarm | Steering arm | | |
| 23 | 1 | | | 1134-3113-01 | Distanz | Spacer | | |
| 24 | 1 | | | 1134-2096-02 | Lenkspurstange | Tie rod | | |
| 25 | 2 | | | 9675-0015-02 | Verriegelungsscheibe | Lock washer | | |
| 27 | 1 | | | 1134-1774-01 | Anhängerkupplung | Towing eyelet | | |
| 28 | 1 | | | 1134-3140-01 | Stoßfänger | Bumper | | |
| 29 | 2 | | | 1134-3726-03 | Felge | Rim | | |
| 30 | 2 | | | 9545-0114-00 | Reifen | Tyre | | 11 x 4.00 - 4 |
| 30 A | | | | 9545-0201-00 | Schlauch | Inner tube | | Nur Ersatzteil |
| 31 | 1 | | | 1134-3166-01 | Steuerstangshülse | Steering rod sleeve | | |
| 32 | 5 | | | 9599-0080-02 | Splint | Cotter pin | | |
| 33 | 1 | | | 1134-3118-01 | Spindel-rechts | Spindle-R.H. | | |
| 34 | 1 | | | 1134-3120-01 | Spindel-links | Spindle-L.H. | | |
| 35 | 1 | | | 1134-3107-01 | Vorderachshalterung | Front axle bracket | | |
| 36 | 1 | | | 1134-3151-01 | Vorderachse | Front axle | | |
| 37 | 1 | | | 1134-3155-01 | Distanzrohr | Spacer tube | | |
| 38 | 1 | | | 1134-3238-01 | Sitz | Seat | | |
| 39 | 1 | | | 9988-3919-16 | Schraube | Screw | | |
| 40 | 1 | | | 1134-3135-05 | Sitzhalterung-rot | Seat bracket-red | | |
| 41 | 1 | | | 1134-3138-01 | Sitzwinkel | Seat support | | |
| 42 | 1 | | | 1134-0022-00 | Regulierungsstange | Control rod | | |
| 43 | 2 | | | 9675-0017-02 | Verriegelungsscheibe | Lock washer | | |
| 44 | 2 | | | 1134-3134-01 | Gummifeder | Rubber spring | | |
| 45 | 1 | | | 1134-3091-05 | Motorhaube-rot | Engine hood-red | | |
| 48 | 2 | | | 1134-3139-01 | Rohr | Tubing | | |
| 49 | 4 | | | 9997-0845-12 | Schraube | Screw | | |
| 50 | 1 | | | 1134-3247-01 | Lenkspurstange | Tie rod | | |
| 51 | 1 | | | 1134-3167-01 | Schloßbügel | Locking clip | | |
| 52 | 5 | | | 1134-0341-01 | Scheibe | Washer | | |
| 57 | 1 | | | 1134-3537-02 | Bodenmatte links | Floor mat-L.H. | | |
| 57 A | 1 | | | 1134-3149-02 | Bodenmatte rechts | Floor mat-R.H. | | Nicht ill. |
| 58 | 1 | | | 1134-3199-05 | Steuerkonsol-rot | Steering console-red | | |
| 62 | 1 | | | 1134-3281-01 | Leiste | Strip | | |
| X | - | 1 | | 1134-3771-25 | Montagesatz | Assy kit | | Nicht ill. |

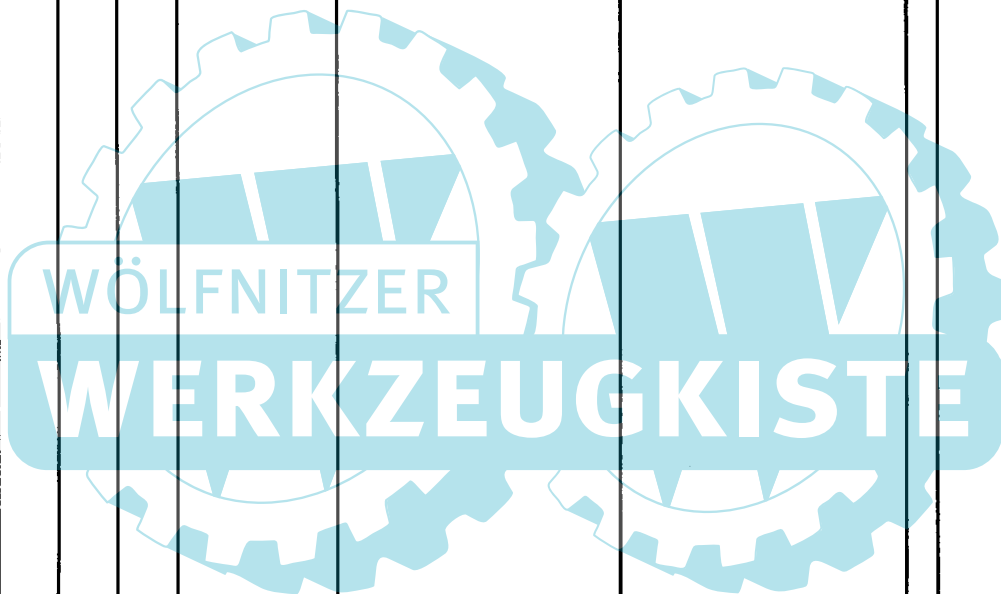
| Ausgabe Issue | | Bild Nr. Picture No | | VARIOLUX 65 AM MOTOR TRANSMISSION | VARIOLUX 65 AM ENGINE TRANSMISSION | Seite Page | | |
|------------------|-----------------|------------------------|--|---|--|--------------------------|-------------|---------------------------------|
| 1999-1 | | B008 | | | | 56 | | |
| Pos. Fig. | Anzahl/Quantity | | | Artikel Nr. Part No | Bezeichnung | Description | Satz Kit | Anmerkung Notes |
| | 2022 | | | | | | | |
| 6 | 4 | | | 9747-0831-02 | Mutter..... | Lock nut..... | | |
| 7 | 1 | | | 1134-3651-01 | Motorriemenscheibe..... | Engine pulley..... | | |
| 8 | 1 | | | 1134-3141-01 | Kupplungsarm..... | Clutch lever..... | | |
| 9 | 2 | | | 1134-3144-01 | Kunststoffdistanz..... | Plastic spacer..... | | |
| 10 | 5 | | | 9849-8013-16 | Schraube..... | Screw..... | | |
| 11 | 2 | | | 1134-0240-00 | Ansatzbolzen..... | Shoulder screw..... | | |
| 12 | 3 | | | 1134-3147-01 | Kunststoffscheibe..... | Plastic washer..... | | |
| 13 | 3 | | | 9699-0056-02 | Scheibe..... | Flat washer..... | | |
| 14 | 6 | | | 9739-0831-22 | Mutter..... | Nut..... | | |
| 15 | 1 | | | 1134-9027-01 | Spannrolle..... | Tension roller..... | | |
| 16 | 1 | | | 9739-1031-22 | Mutter..... | Nut..... | | |
| 17 | 1 | | | 1134-9013-01 | Keilriemen..... | V-belt..... | | = 9585-0057-00 |
| 18 | 1 | | | 1134-1578-01 | Feder..... | Spring..... | | |
| 19 | 1 | | | 1134-2086-01 | Riemenbügel..... | Belt stirrup..... | | |
| 20 | 1 | | | 9997-0830-16 | Schraube..... | Screw..... | | |
| 21 | 1 | | | 1134-3157-03 | Getriebe..... | Transaxle assy..... | | Peerless 915-028A |
| 22 | 1 | | | 1134-3154-01 | Distanzrohr..... | Spacer tube..... | | |
| 23 | 1 | | | 9997-0815-02 | Schraube..... | Screw..... | | |
| 24 | 1 | | | 9699-0090-02 | Scheibe..... | Flat washer..... | | |
| 25 | 1 | | | 1134-3182-01 | Riemenscheibe..... | Belt pulley..... | | |
| 26 | 1 | | | 9600-0050-00 | Keil..... | Key..... | | |
| 27 | 1 | | | 9650-0016-04 | Seegersicherung..... | Lock ring..... | | |
| 28 | 1 | | | 1134-3106-01 | Pedalkonsole..... | Pedal bracket..... | | |
| 29 | 2 | | | 9898-0820-16 | Schraube..... | Screw..... | | |
| 30 | 1 | | | 1111-0062-01 | Regulierungsarm..... | Control lever..... | | |
| 31 | 1 | | | 1111-0040-02 | Regulierungsknopf..... | Control knob..... | | |
| 32 | 1 | | | 9694-0001-00 | Scheibe..... | Washer..... | | |
| 33 | 1 | | | 1134-1597-09 | Gasdraht..... | Gas wire..... | | |
| 34 | 1 | | | 1134-3240-01 | Klemme..... | Wire clamp..... | | |
| 35 | 1 | | | 1134-3112-02 | Schalthebel..... | Gear shifter..... | | |
| 36 | 1 | | | 1134-3193-01 | Griff..... | Lever handle..... | | |
| 37 | 1 | | | 1134-1565-01 | Distanz..... | Spacer..... | | |
| 39 | 1 | | | 1134-3160-01 | Schaltplatte..... | Gear shifter plate..... | | |
| 40 | 2 | | | 9675-0012-02 | Verriegelungsscheibe..... | Locking washer..... | | |
| 41 | 1 | | | 1134-3109-01 | Schaltarm..... | Gear shifter lever..... | | |
| 42 | 1 | | | 9987-5016-16 | Schraube..... | Screw..... | | |
| 43 | 1 | | | 9699-0060-02 | Scheibe..... | Flat washer..... | | |
| 44 | 1 | | | 1134-3845-01 | Pedal..... | Pedal..... | | |
| 46 | 1 | | | 1111-0158-00 | Buchse..... | Bushing..... | | |
| 47 | 1 | | | 1134-3047-01 | Distanz..... | Spacer..... | | |
| 48 | 1 | | | 4231-0013-00 | Feder..... | Spring..... | | |
| 49 | 1 | | | 1134-3146-01 | Regulierstange..... | Control rod..... | | |
| 50 | 1 | | | 9599-0067-02 | Splint..... | Cotter pin..... | | |
| 51 | 1 | | | 9598-0002-02 | Schließnadel..... | Pin lock..... | | |
| 52 | 1 | | | 1134-3178-01 | Kunststoffgehäuse..... | Plastic housing..... | | |
| 53 | 1 | | | 1134-3179-01 | Bremsarm..... | Parking brake lever..... | | |
| 54 | 1 | | | 1134-3180-01 | Druckfeder..... | Compression spring..... | | |
| 55 | 3 | | | 9997-0520-16 | Schraube..... | Screw..... | | |
| 56 | 3 | | | 9747-0531-02 | Mutter..... | Nut..... | | |
| 57 | 1 | | | 9987-5251-12 | Schraube..... | Screw..... | | |
| 61 | 3 | | | 9955-3732-12 | Schraube..... | Screw..... | | |
| 62 | 1 | | | 9600-0250-00 | Keil..... | Key..... | | |
| 73 | 2 | | | 1134-3745-02 | Felge..... | Rim..... | | |
| 74 | 2 | | | 9545-0121-00 | Reifen..... | Tyre..... | | |
| 74A | | | | 9545-0210-00 | Innenschlauch..... | Inner tube..... | | 5.30/4.50 - 6 Nur Ersatzteil |
| 75 | 2 | | | 9545-0500-00 | Ventil kompl. | Valve..... | | |
| 76 | 2 | | | 1134-3170-01 | Bolzen..... | Bolt..... | | |
| 77 | 1 | | | 1134-3200-01 | Schaltstange..... | Shift rod..... | | |
| 78 | 1 | | | 1134-0149-01 | Distanz..... | Spacer..... | | |
| 80 | 1 | | | 9997-0855-12 | Schraube..... | Screw..... | | |
| 85 | 1 | | | 9699-0030-02 | Scheibe..... | Flat washer..... | | |
| 86 | 1 | | | 1134-3898-01 | Ölpumpe..... | Oil pump..... | | |
| 87 | 1 | | | 1134-3870-01 | Motorplatte..... | Adapter plate..... | | |

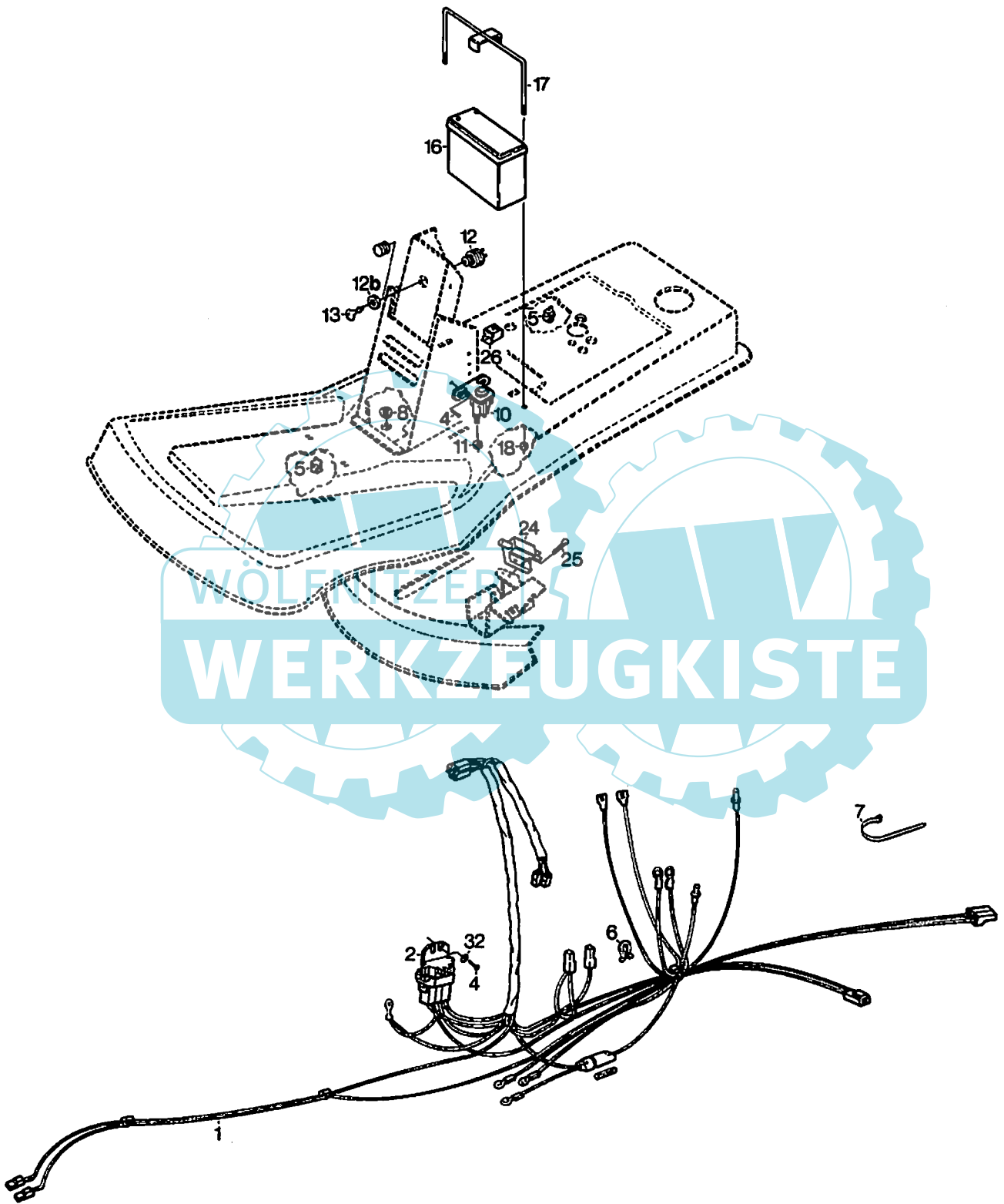


B008

www.ersatzteil-service.de

| Ausgabe Issue 1999-1 | | Bild Nr. Picture No B008 | | VARIOLUX 65 AM MOTOR TRANSMISSION | | VARIOLUX 65 AM ENGINE TRANSMISSION | | Seite Page 58 | |
|----------------------------|-----------------|--------------------------------|--|---|----------------|--|-------------|---------------------|--|
| Pos. Fig. | Anzahl/Quantity | | | Artikel Nr. Part No | Bezeichnung | Description | Satz Kit | Anmerkung Notes | |
| | 2022 | | | | | | | | |
| 88 | 3 | | | 9997-0830-16 | Schraube | Screw | | 30 mm | |
| 88 | 1 | | | 9997-0840-16 | Schraube | Screw | | 40 mm | |
| 89 | 4 | | | 9747-0831-02 | Mutter..... | Lock nut..... | | | |

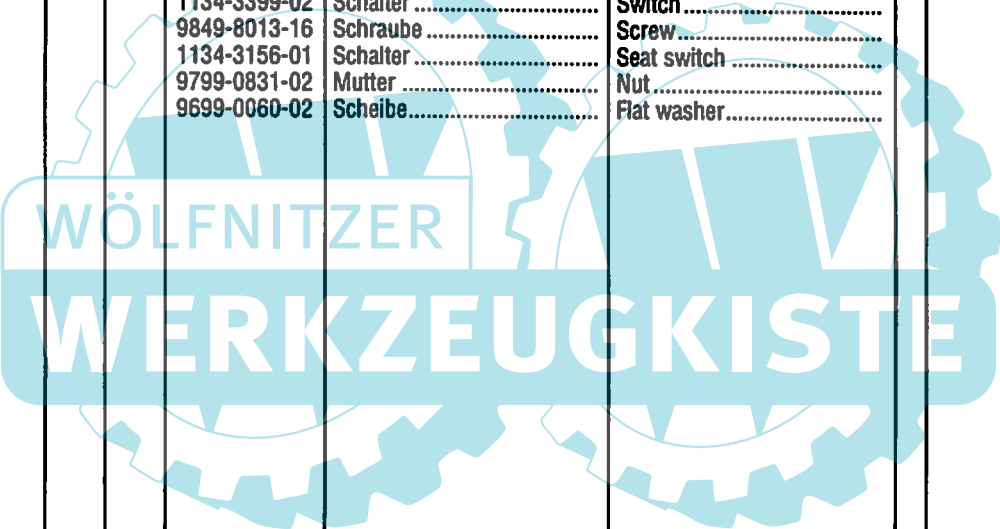


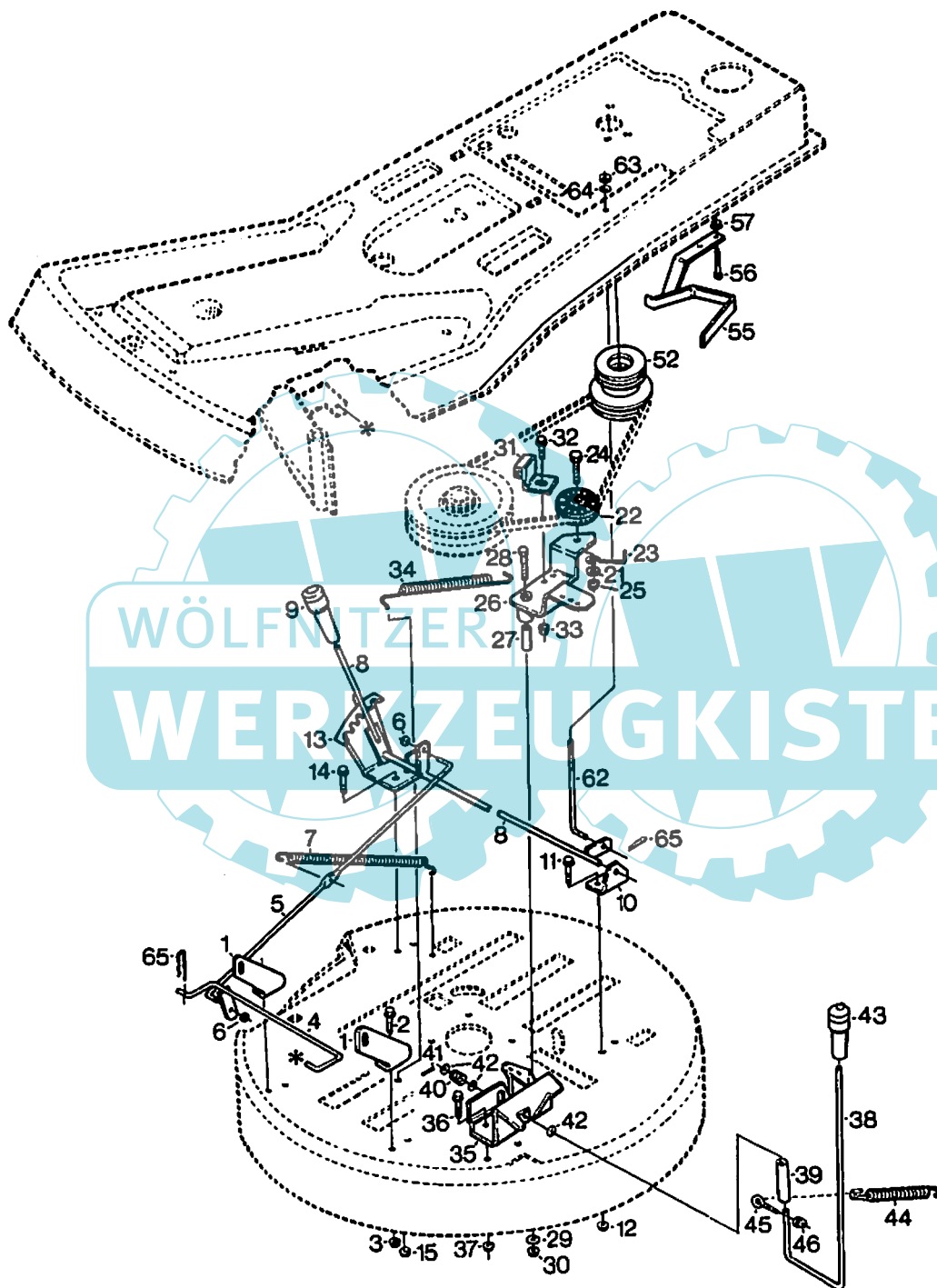


B009

www.ersatzteil-service.de

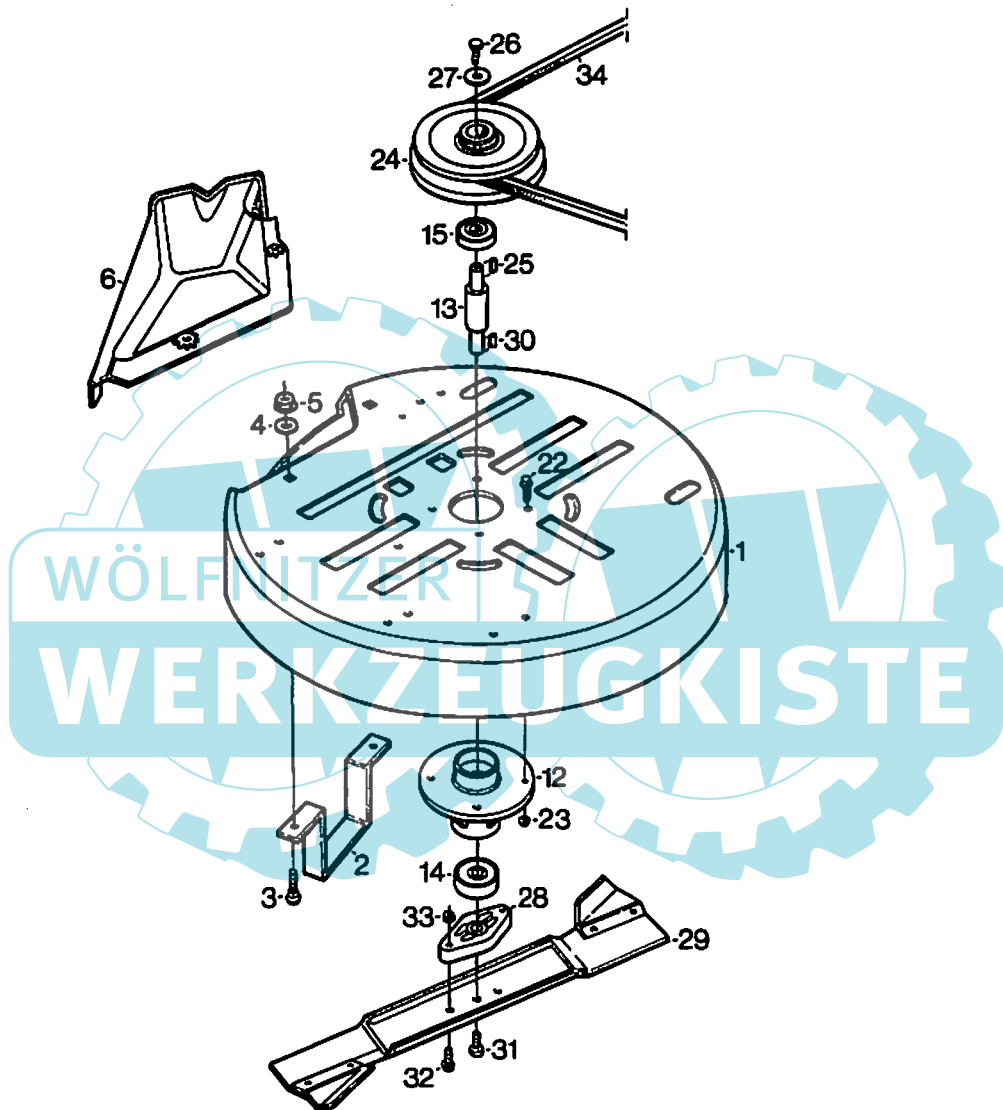
| Ausgabe Issue 1999-1 | | Bild Nr. Picture No B009 | | VARIOLUX 65 AM ELEKTRISCHES SYSTEM | VARIOLUX 65 AM ELECTRICAL SYSTEM | Seite Page 60 | | |
|----------------------------|-----------------|--------------------------------|--|---------------------------------------|-------------------------------------|--------------------------|-------------|--------------------|
| Pos. Fig. | Anzahl/Quantity | | | Artikel Nr. Part No | Bezeichnung | Description | Satz Kit | Anmerkung Notes |
| | 2022 | | | | | | | |
| 1 | 1 | | | 1134-3886-01 | Kabelbündel kompl..... | Harness assy..... | | Nicht ill. |
| 2 | 1 | | | 1134-3623-02 | • Sicherheitskreis | • Interlock module | | |
| 4 | 2 | | | 9849-8013-16 | Schraube | Screw | | |
| 5 | 2 | | | 1134-3132-01 | Kabelhalter..... | Cable holder | | |
| 6 | 1 | | | 1134-3204-01 | Kabelhalter..... | Cable holder | | |
| 7 | 1 | | | 9579-0003-00 | Kabelhalter..... | Cable holder | | |
| 8 | 2 | | | 1134-3203-01 | Kabelhülse | Grommet..... | | |
| 10 | 1 | | | 1134-2962-01 | Magnetschalter..... | Solenoid assy..... | | |
| 11 | 2 | | | 9794-5131-02 | • Mutter | • Nut | | |
| 12 | 1 | | | 1134-1814-01 | Zündschloß..... | Starter switch assy..... | | |
| 12A | 1 | | | 1134-2853-01 | • Scheibe..... | • Washer..... | | |
| 12B | 1 | | | 1134-2852-01 | • Mutter..... | • Nut | | |
| 13 | 1 | | | 1134-2848-01 | • Zündschlüssel..... | • Ignition key | | |
| 16 | 1 | | | 1134-3897-01 | Batterie | Battery | | |
| 17 | 1 | | | 1134-3883-01 | Batteriehalter | Battery holder | | |
| 18 | 2 | | | 9747-0831-02 | Mutter..... | Lock nut | | |
| 24 | 1 | | | 1134-3399-02 | Schalter | Switch | | |
| 25 | 2 | | | 9849-8013-16 | Schraube | Screw | | |
| 26 | 1 | | | 1134-3156-01 | Schalter | Seat switch | | |
| 30 | 1 | | | 9799-0831-02 | Mutter | Nut | | |
| 32 | 1 | | | 9699-0060-02 | Scheibe..... | Flat washer..... | | |





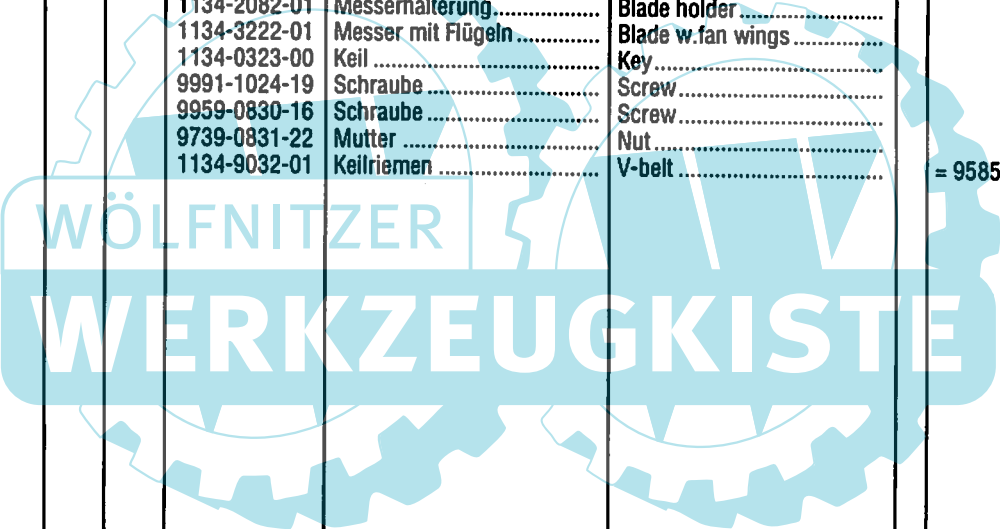
B010

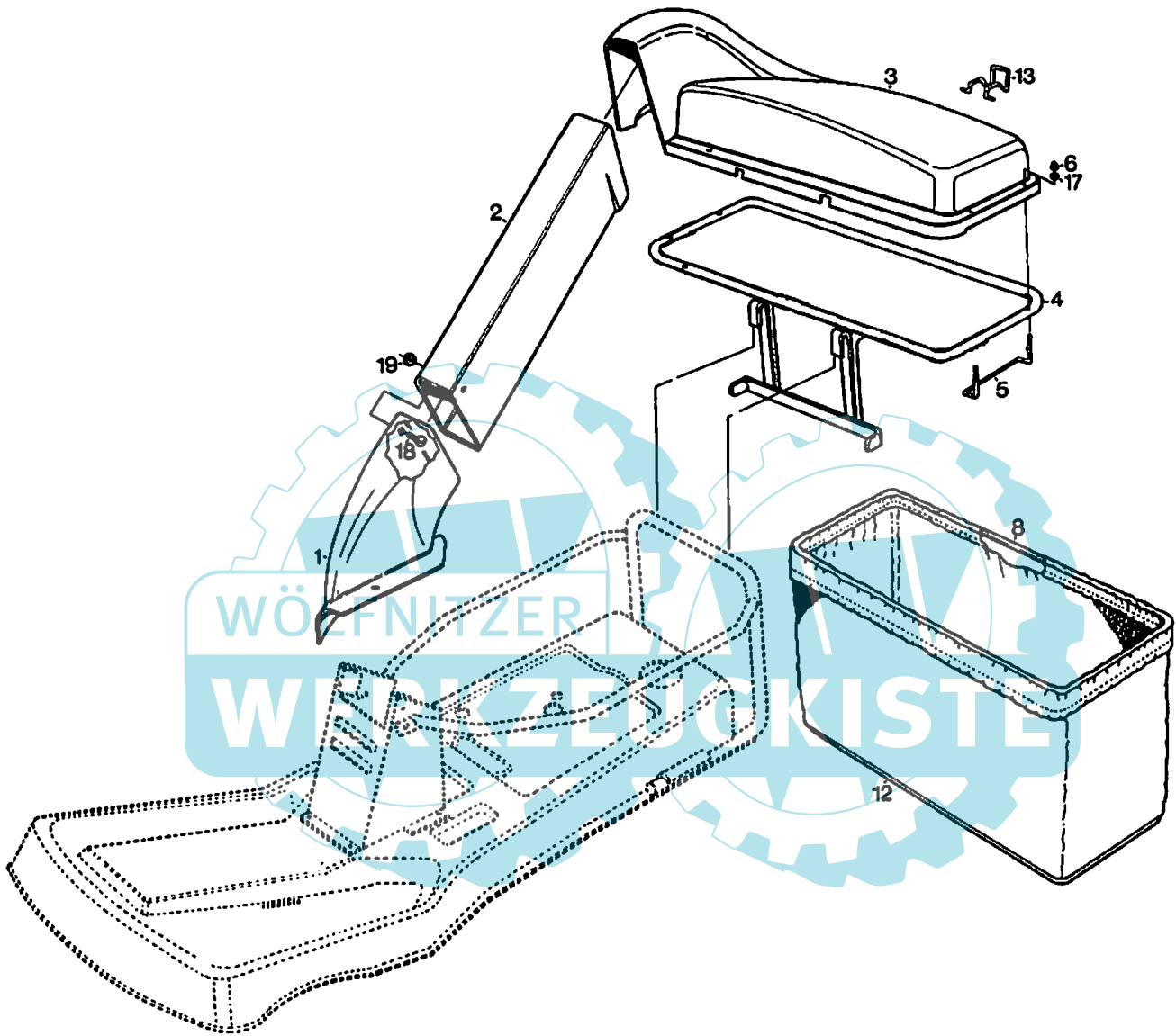
| Ausgabe Issue 1999-1 | | Bild Nr. Picture No B010 | | VARIOLUX 65 AM MÄHWERK REGULIERUNG | VARIOLUX 65 AM MOWER DECK CONTROLS | Seite Page 62 | | |
|----------------------------|-----------------|--------------------------------|--|--|--|---------------------------|-------------|--------------------|
| Pos. Fig. | Anzahl/Quantity | | | Artikel Nr. Part No | Bezeichnung | Description | Satz Kit | Anmerkung Notes |
| | 2022 | | | | | | | |
| 1 | 2 | | | 1134-3187-01 | Winkelhalterung..... | Angle bracket..... | | |
| 2 | 4 | | | 9959-0816-16 | Schraube..... | Screw..... | | |
| 3 | 4 | | | 9739-0831-22 | Mutter..... | Nut..... | | |
| 4 | 1 | | | 1134-3189-01 | Hebeachse..... | Lift shaft..... | | |
| 5 | 1 | | | 1134-3131-01 | Hebestang..... | Lift rod..... | | |
| 6 | 2 | | | 9675-0015-02 | Verriegelungsscheibe..... | Lock washer..... | | |
| 7 | 1 | | | 1111-1842-01 | Feder..... | Spring..... | | |
| 8 | 1 | | | 1134-3129-01 | Hebeachse..... | Lift lever..... | | |
| 9 | 1 | | | 1134-3193-01 | Griff..... | Lever handle..... | | |
| 10 | 1 | | | 1134-3127-01 | Halterung..... | Angle bracket..... | | |
| 11 | 2 | | | 9959-0816-16 | Schraube..... | Screw..... | | |
| 12 | 2 | | | 9739-0831-22 | Mutter..... | Nut..... | | |
| 13 | 1 | | | 1134-3128-01 | Höheneinstellsegment..... | Height adj. quadrant..... | | |
| 14 | 2 | | | 9959-0816-16 | Schraube..... | Screw..... | | |
| 15 | 2 | | | 9739-0831-22 | Mutter..... | Nut..... | | |
| 21 | 1 | | | 9699-0062-02 | Scheibe..... | Flat washer..... | | |
| 22 | 1 | | | 1134-9027-01 | Spannrolle..... | Tension roller..... | | |
| 23 | 1 | | | 1134-1795-02 | Riemenbügel..... | Belt guide..... | | |
| 24 | 1 | | | 9924-0840-19 | Schraube..... | Screw..... | | |
| 25 | 1 | | | 9739-0831-22 | Mutter..... | Nut..... | | |
| 26 | 1 | | | 1134-3676-01 | Spannarm..... | Tension arm..... | | |
| 27 | 1 | | | 1134-1565-01 | Distanz..... | Spacer..... | | |
| 28 | 1 | | | 9997-0845-12 | Schraube..... | Screw..... | | |
| 29 | 1 | | | 9699-0090-02 | Scheibe..... | Flat washer..... | | |
| 30 | 1 | | | 9739-0831-22 | Mutter..... | Nut..... | | |
| 31 | 1 | | | 1134-1999-01 | Bremsklotz..... | Brake pad..... | | |
| 32 | 1 | | | 9959-0816-16 | Schraube..... | Screw..... | | |
| 33 | 1 | | | 9739-0831-22 | Mutter..... | Nut..... | | |
| 34 | 1 | | | 1134-3211-01 | Feder..... | Spring..... | | |
| 35 | 1 | | | 1134-3560-01 | Halterung..... | Lever bracket..... | | |
| 36 | 2 | | | 9959-0816-16 | Schraube..... | Screw..... | | |
| 37 | 2 | | | 9739-0831-22 | Mutter..... | Nut..... | | |
| 38 | 1 | | | 1134-3207-01 | Kupplungsarm..... | Engaging lever..... | | |
| 39 | 1 | | | 1134-2849-03 | Gummischlauch..... | Rubber hose..... | | |
| 40 | 1 | | | 1134-3213-01 | Druckfeder..... | Compression spring..... | | |
| 41 | 1 | | | 9595-0209-00 | Kerbstift..... | Locating pin..... | | |
| 42 | 3 | | | 1111-1456-01 | Scheibe..... | Washer..... | | |
| 43 | 1 | | | 1134-3193-01 | Griff..... | Lever handle..... | | |
| 44 | 1 | | | 1134-3212-01 | Feder..... | Spring..... | | |
| 45 | 1 | | | 1134-1889-01 | Schrauböse..... | Eyebolt..... | | |
| 46 | 1 | | | 9747-0631-02 | Mutter..... | Lock nut..... | | |
| 52 | 1 | | | 1134-3651-01 | Motorriemenscheibe..... | Engine pulley..... | | |
| 55 | 1 | | | 1134-3172-02 | Riemenführung..... | Belt guide..... | | |
| 56 | 2 | | | 9997-0855-12 | Schraube..... | Screw..... | | |
| 57 | 2 | | | 9739-0831-22 | Mutter..... | Nut..... | | |
| 62 | 2 | | | 1134-3133-01 | Aufhängerwinkel..... | Angle bracket..... | | |
| 63 | 2 | | | 9747-0831-02 | Mutter..... | Lock nut..... | | |
| 64 | 2 | | | 9699-0090-02 | Scheibe..... | Flat washer..... | | |
| 65 | 3 | | | 9598-0002-02 | Schließnadel..... | Pin lock..... | | |



B011

| Ausgabe Issue 1999-1 | | Bild Nr. Picture No B011 | | VARIOLUX 65 AM MÄHWERK | | VARIOLUX 65 AM MOWER DECK | | Seite Page 64 | |
|----------------------------|-----------------|--------------------------------|--|---------------------------|------------------------|------------------------------|----------------------------|---------------------|--------------------|
| Pos. Fig. | Anzahl/Quantity | | | | Artikel Nr. Part No | Bezeichnung | Description | Satz Kit | Anmerkung Notes |
| | 2022 | | | | | | | | |
| 1 | 1 | | | | 1134-3216-02 | Gehäuse-mähwerk..... | Casing-mower deck | | |
| 2 | 1 | | | | 1134-3288-01 | Transportsicherung | Transport blade lock | | |
| 3 | 2 | | | | 9898-0820-16 | Schraube | Screw | | |
| 4 | 2 | | | | 9699-0056-02 | Scheibe..... | Flat washer..... | | |
| 5 | 2 | | | | 9747-0831-02 | Mutter..... | Lock nut..... | | |
| 6 | 1 | | | | 1134-3682-01 | Auswurfblech..... | Discharge shield | | |
| 12 | 1 | | | | 1134-2147-01 | Lagerbuchse kompl. | Bearing box assy..... | | |
| 13 | 1 | | | | 1134-2083-01 | • Messerwelle..... | • Blade shaft | | |
| 14 | 1 | | | | 9549-0014-00 | • Kugellager..... | • Ball bearing | | |
| 15 | 1 | | | | 9549-0027-00 | • Kugellager..... | • Ball bearing | | |
| 22 | 4 | | | | 9959-0820-16 | Schraube | Screw | | |
| 23 | 4 | | | | 9739-0831-22 | Mutter | Nut | | |
| 24 | 1 | | | | 1134-3186-01 | Riemenscheibe | Belt pulley | | |
| 25 | 1 | | | | 1134-0323-00 | Keil | Key | | |
| 26 | 1 | | | | 9991-1024-19 | Schraube | Screw | | |
| 27 | 1 | | | | 9699-0030-02 | Scheibe..... | Flat washer..... | | |
| 28 | 1 | | | | 1134-2082-01 | Messerhalterung..... | Blade holder | | |
| 29 | 1 | | | | 1134-3222-01 | Messer mit Flügeln | Blade w.fan wings | | |
| 30 | 1 | | | | 1134-0323-00 | Keil | Key | | |
| 31 | 1 | | | | 9991-1024-19 | Schraube | Screw | | |
| 32 | 2 | | | | 9959-0830-16 | Schraube | Screw | | |
| 33 | 2 | | | | 9739-0831-22 | Mutter | Nut | | |
| 34 | 1 | | | | 1134-9032-01 | Keilriemen | V-belt | | = 9585-0075-00 |





| Ausgabe Issue | | Bild Nr. Picture No | | VARIOLUX 65 AM GRASSFÄNGER | VARIOLUX 65 AM GRASS COLLECTOR | Seite Page | | |
|------------------|-----------------|------------------------|--|-------------------------------|-----------------------------------|---------------------------|-------------|--------------------|
| 1999-1 | | B012 | | | | 66 | | |
| Pos. Fig. | Anzahl/Quantity | | | Artikel Nr. Part No | Bezeichnung | Description | Satz Kit | Anmerkung Notes |
| | 2022 | | | | | | | |
| 1 | 1 | | | 1134-3299-01 | Grastrichter | Grass funnel..... | | Nicht ill. |
| 2 | 1 | | | 1134-3298-01 | Grasauswurfrohr | Grass ejection tube | | |
| 3 | 1 | | | 1134-3747-01 | Deckel..... | Cover | | |
| 4 | 1 | | | 1134-3220-02 | Rahmen..... | Mounting frame | | |
| 5 | 2 | | | 1134-3232-01 | Bügel | Bag holder..... | | |
| 6 | 4 | | | 9747-0831-02 | Mutter..... | Lock nut | | |
| 8 | 1 | | | 1134-3236-01 | Rahmen..... | Bag frame | | |
| 12 | 1 | | | 1134-3227-02 | Grasfangsack..... | Grass bag..... | | |
| 13 | 1 | | | 1134-3201-01 | Sperr..... | Bagger latch | | |
| 17 | 4 | | | 9699-0090-02 | Scheibe..... | Flat washer..... | | |
| 18 | 2 | | | 1134-3301-01 | Schraube | Carriage bolt | | |
| 19 | 2 | | | 9747-0631-02 | Mutter | Lock nut | | |
| - | 1 | | | 1134-3265-07 | Montagesatz | Assy kit | | |

528 3411

